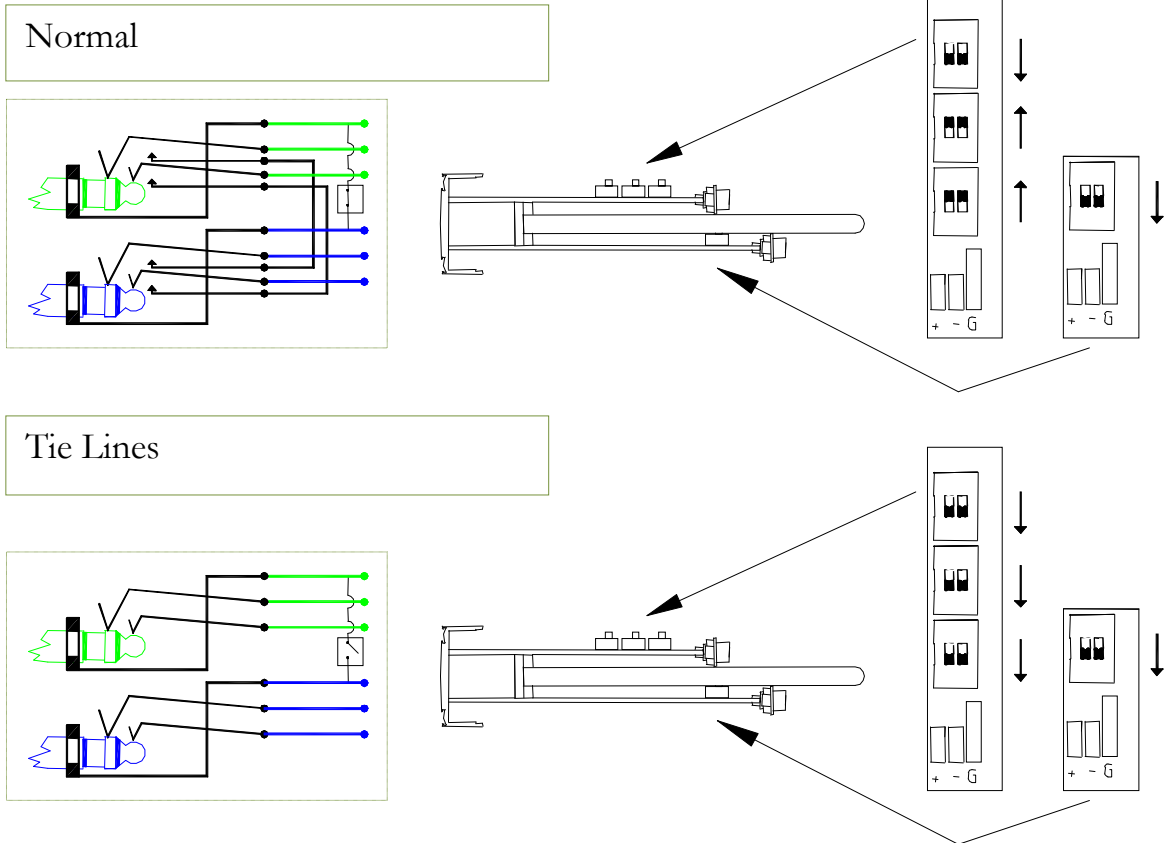




# Wiring Diagram

# Audio Panels Bantam D25 DIP

## DIP Configuration

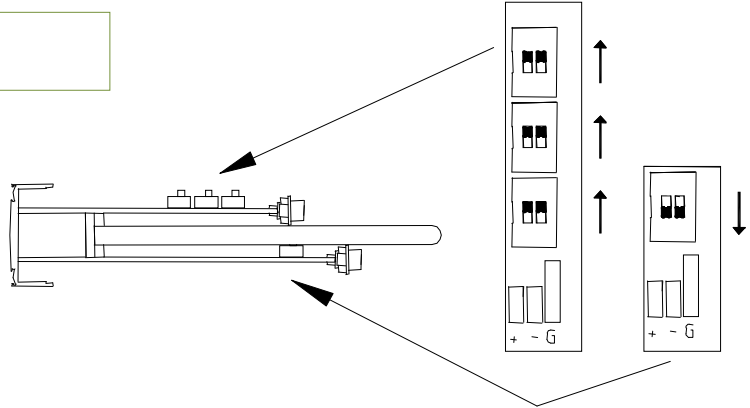
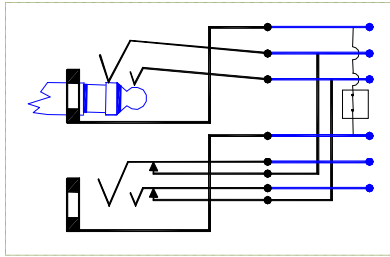




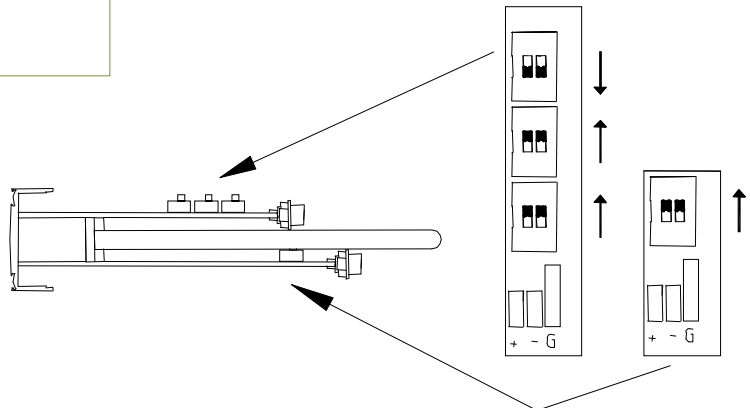
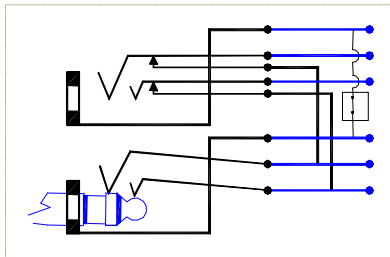
# Wiring Diagram

# Audio Panels Bantam D25 DIP

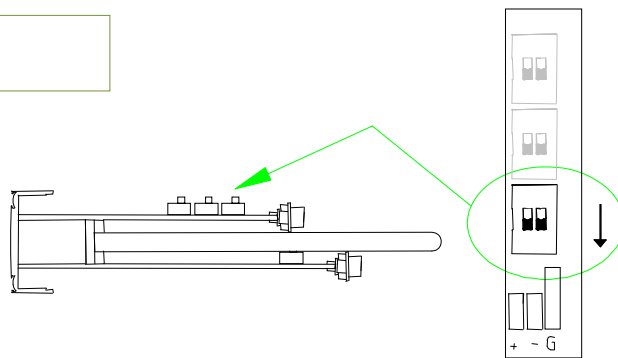
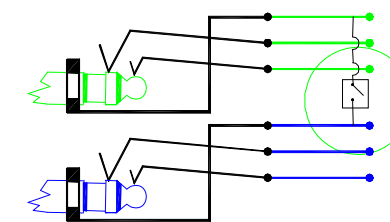
Half-Normal Bottom



Half-Normal Top



Gnd Lift





# Wiring Diagram

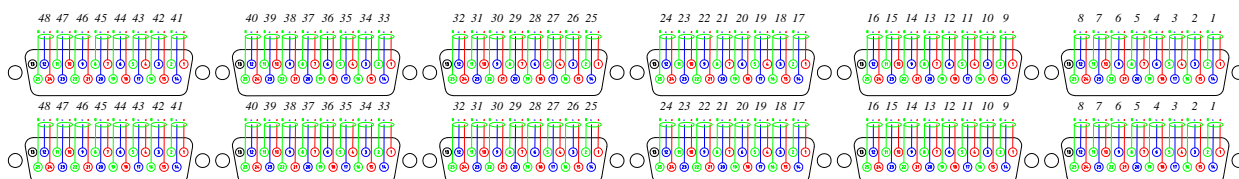
# Audio Panels Bantam D25 DIP

Page. 3

DATE: 14-04-11 ED.1

## Sub-D-25 Configuration

### Rear View: Sub-D-25 Female



### Sub-D-25 Male (Welds)

